

POWERMITE

SHARPS

Est. 1967

ELECTRICAL



DIAMOND TRACK FESTOON SYSTEM

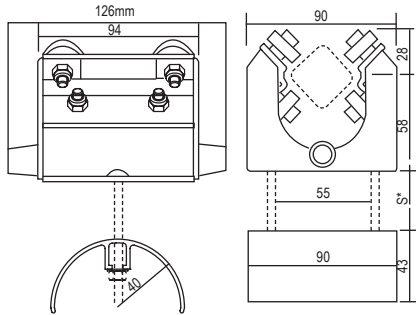
Electrical Festoon System for Mobile Machinery
The Festoon that carries all types of energy.



Connecting Africa

a member of the **Hudaco** group

NO. P7804
D/T CARRIER ALU-PC



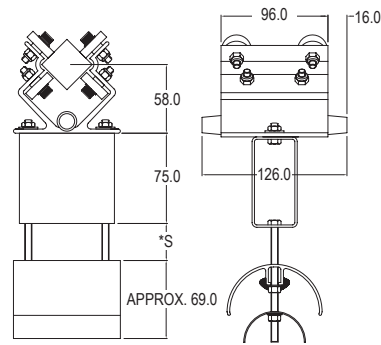
PART NO.	DESCRIPTION
P7804	D/T CARRIER ALU-PC

CONSTRUCTION

Body	Aluminium, Coated
Hardware	Galvanised
Bearings	ZZ or RS Sealed
Buffer	Rubber

S = 20 mm if carriers ambush buffer to buffer
Maximum S = 40 mm

NO. P7805
D/T MASTER CARRIER ALU-PC



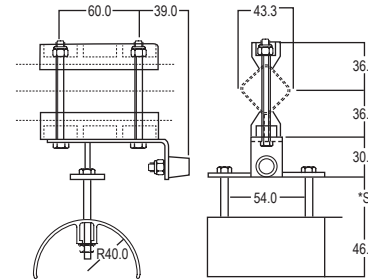
PART NO.	DESCRIPTION
P7805	D/T MASTER CARRIER ALU-PC

CONSTRUCTION

Body	Aluminium, Coated
Hardware	Galvanised
Bearings	ZZ or RS Sealed
Buffer	Rubber

S = 20 mm if carriers ambush buffer to buffer
Maximum S = 40 mm

NO. P8726
D/T ENDCLAMP+
ALUFORM+2-PVC-V+2M6



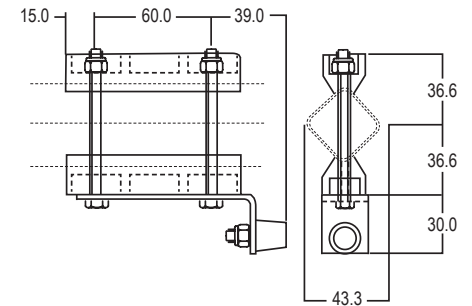
PART NO.	DESCRIPTION
P8726	D/T ENDCLAMP+ ALUFORM+2-PVC-V+2M6

CONSTRUCTION

Body	Steel, Aluminium Coated
Clamp	Aluminium Coated
Spacer	gf Nylon
Hardware	Galvanised
Buffer	Rubber

*S = 20 mm if carriers ambush buffer to buffer
Maximum *S = 40 mm

8 NO. P8727
D/T ENDSTOP C/W
BUF+2-PVC-V+2M6



PART NO.	DESCRIPTION
P8727	D/T ENDSTOP C/W BUF+2-PVC-V+2M6

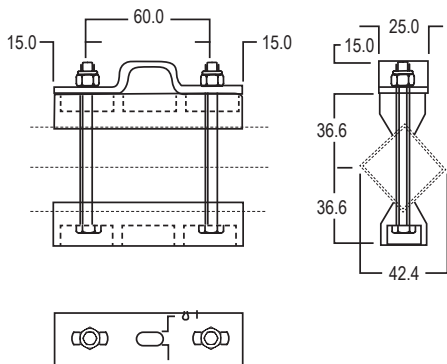
CONSTRUCTION

Body	Steel, Coated
Spacer	gf Nylon
Hardware	Galvanised
Buffer	Rubber

DIAMOND TRACK FESTOON SYSTEM

POWERMITE

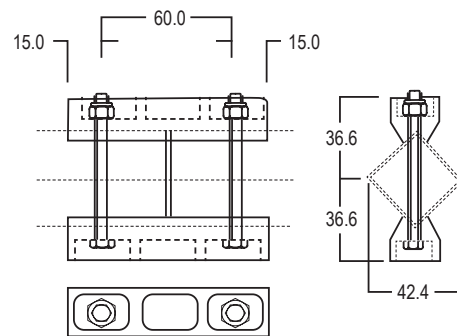
21 NO. P8728
D/T SUSP.CLAMP C/W
2-PVC-V+2-M6



PART NO.	DESCRIPTION
P8728	D/T SUSP.CLAMP c/w 2-PVC-V+2-M6

CONSTRUCTION	
Body	Steel, Coated
Spacer	gf Nylon
Hardware	Galvanised

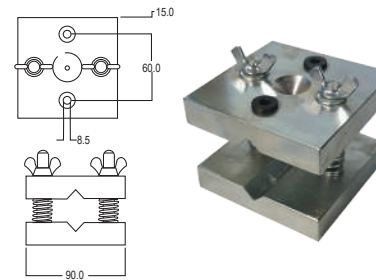
20 NO. P8725 D/T JOINT
C/W 2PVC-V+2-M6



PART NO.	DESCRIPTION
P8725	D/T JOINT c/w 2PVC-V+2-M6

CONSTRUCTION	
Body	gf Nylon
Hardware	Galvanised

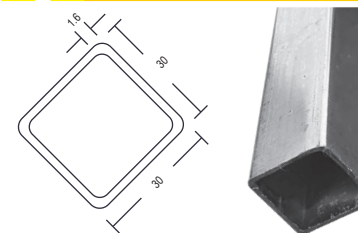
NO. P7807
D/T DRILLING JIG,60MM ONLY



PART NO.	DESCRIPTION
P7807	D/T DRILLING JIG,60mm only

APPLICATION
The drilling of holes to Diamond Track for fitting of: Joint No. P8725, Endclamp No. P8726, Hanger Clamp No. P8728, Endstop No. P8727

17 18 19 NO.280 DIAMOND TRACK GALV.^{1,2}

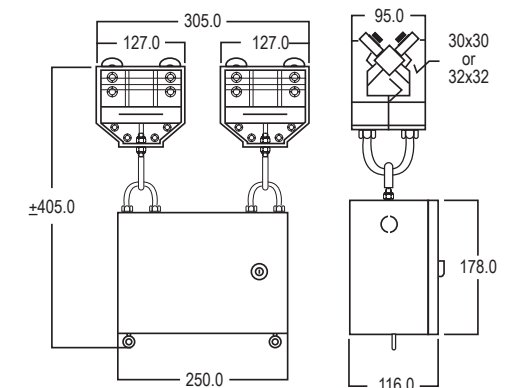
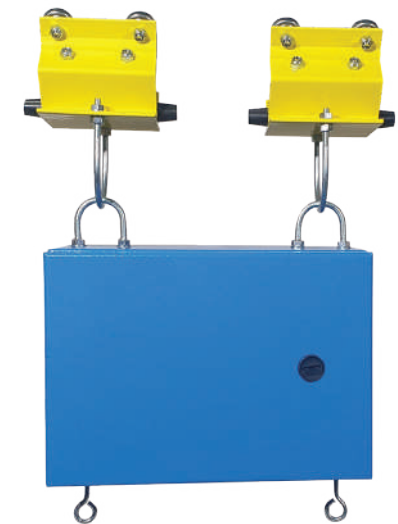


PART NO.	DESCRIPTION
P7800	Diamond Track Galv. No.280
P7876	Diamond Track 30x30 ALU*
P7850	Diamond track 30x30,SS 304

MATERIAL	
Standard length	6 m
Minium bending radius (see point 2)	0,4 m
Weight	Approx. 1,77 kg/m

- 1.) On curved installations the spacing of hanger clamps shall be max. 2/3 of that of a straight run.
- 2.) On curved installations the Loop height should not exceed radius x 0,7.
- 3.) *Minimum order quantity.

**P7824 MOBILE BOX C/W
2-NO 290 CARRIER**

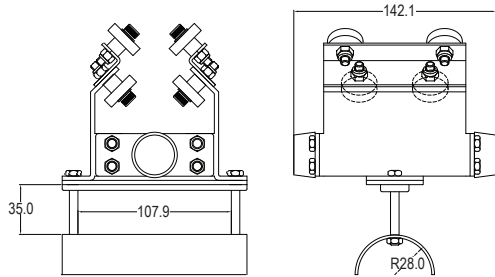
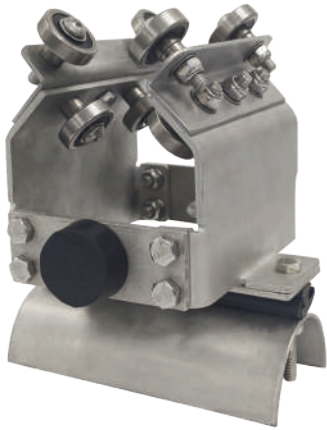


PART NO.	DESCRIPTION
P7824	Mobile Box c/w 2-NO 290 Carrier

CONSTRUCTION	
Enclosure	Coated Mild Steel
Hardware	Galvanised

DIAMOND TRACK STAINLESS STEEL FESTOON SYSTEM

CABLE CARRIER 30X30

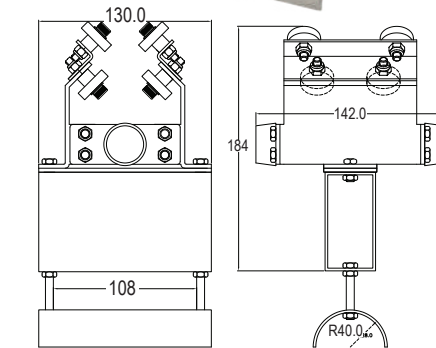


PART NO.	DESCRIPTION
P78470	D/T ss CABLE CARRIER 30X30 (ss304)
P78041	D/T CABLE CARRIER 30X30 Galvnised Mild Steel

CONSTRUCTION

Body	D/T ss CABLE CARRIER 30X30 ss304
Alternative	Stainless Steel or Aluminium
Hardware	Galvanised or Stainless Steel
Bearings	S/Steel or RS
Buffer	Rubber

MASTER CARRIER 30X30



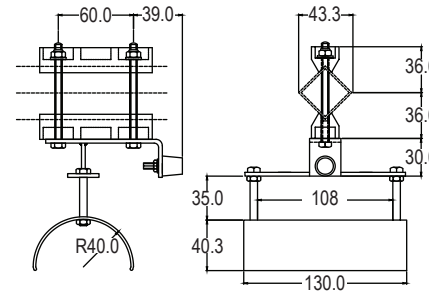
PART NO.	DESCRIPTION
P78471	D/T ss MASTER CARRIER 30X30 (ss304)
P78051	D/T CABLE CARRIER 30X30 Galvnised Mild Steel

CONSTRUCTION

Body	S/Steel 304
Alternative	Stainless Steel or Aluminium
Hardware	Galvanised or Stainless Steel
Bearings	S/Steel with RS
Buffer	Rubber

S = 20 mm if carriers ambush buffer to buffer
Maximum S = 40 mm

ENDCLAMP+FORMER+2-PVC-V+2M6



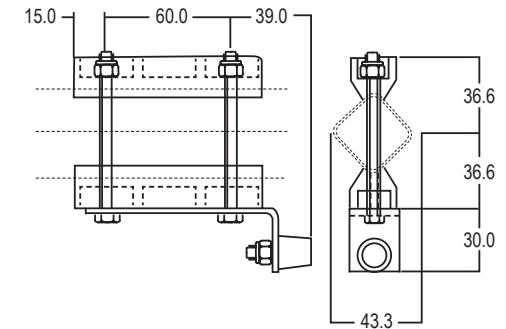
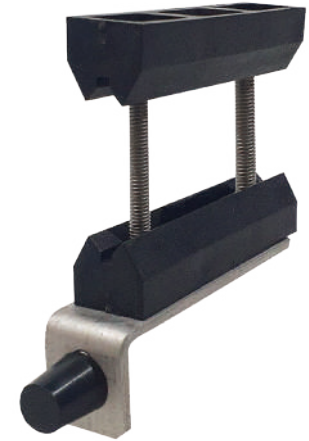
PART NO.	DESCRIPTION
P87341	D/T ss ENDCLAMP +ssFORM+2-PVC-V+2M6
P87261	D/T ENDCLAMP FORMER+2-PVC-V+2M6 Galvnised Mild Steel

CONSTRUCTION

Body	S/Steel 304
Clamp	S/Steel 304
Hardware	Stainless Steel

*S = 20 mm if carriers ambush buffer to buffer
Maximum *S = 40 mm

END STOP C/W 2PVC-V+2-M6



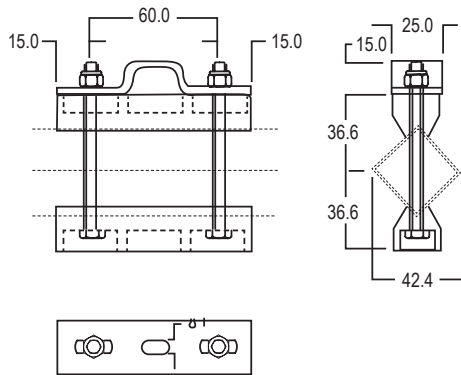
PART NO.	DESCRIPTION
P8737	D/T ss END STOP c/w 2PVC-V+2-M6

CONSTRUCTION

Body	D/T ss END STOP c/w 2PVC-V+2-M6
Hardware	S/Steel 304
Buffer	Rubber

DIAMOND TRACK STAINLESS STEEL FESTOON SYSTEM

21 P8738 D/T SS SUSP.CLAMP
C/W 2-PVC-V+2M6

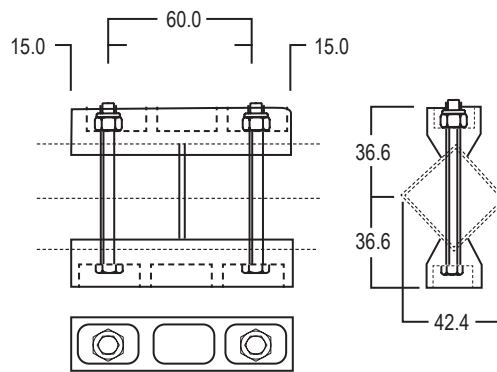
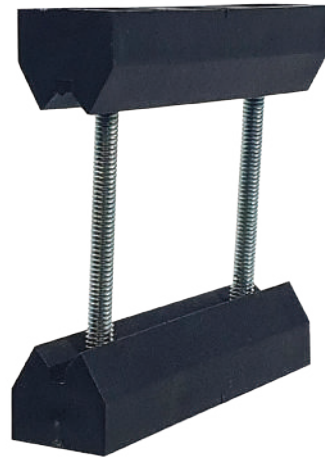


PART NO.	DESCRIPTION
P8738	D/T ss SUSP.CLAMP c/w 2-PVC-V+2M6

CONSTRUCTION

Body	S/Steel 304
Spacer	gf Nylon
Hardware	Stainless Steel

20 P8735 D/T SS JOINT C/W
2PVC-V+2-M6

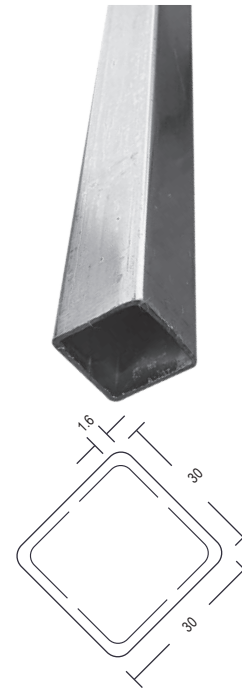


PART NO.	DESCRIPTION
P8735	D/T ss JOINT c/w 2PVC-V+2-M6

CONSTRUCTION

Body	gf Nylon
Hardware	Stainless Steel

17 18 19 P7850 DIAMOND TRACK
30X30, SS 304



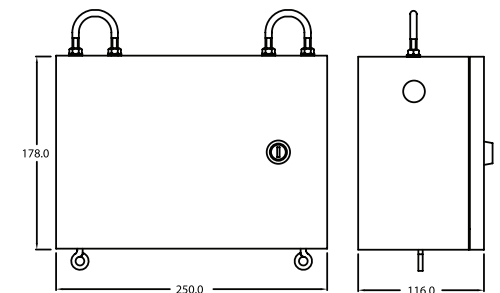
PART NO.	DESCRIPTION
P7800	Diamond Track Galv. No.280
P7876	Diamond Track 30x30 ALU*
P7850	Diamond track 30x30,SS 304

MATERIAL

Standard length	6 m
Minium bending radius (see point 2)	0,4 m
Weight	Approx. 1,77 kg/m

- 1.) On curved installations the spacing of hanger clamps shall be max. 2/3 of that of a straight run.
- 2.) On curved installations the Loop height should not exceed radius x 0,7.
- 3.) *Minimum order quantity.

P78421 MOBILE BOX S/STEEL
C/W S/STEEL CABLE CARRIERS

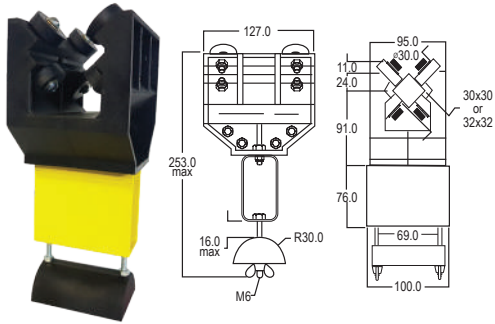


PART NO.	DESCRIPTION
P78421	Mobile Box s/STEEL

CONSTRUCTION

Body	Mobile Box all S/Steel
------	------------------------

10 P8705 D/T PVC MASTER CARRIER NO271,30X30BL

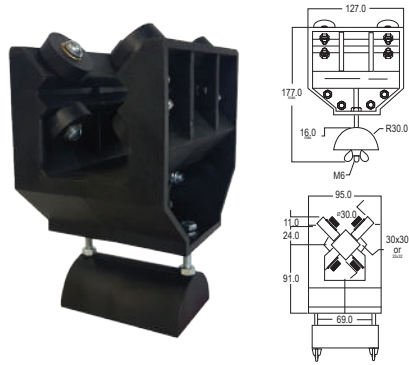


PART NO.	DESCRIPTION
P8705	D/T PVC Mastercarrier No271, 30x30bl

CONSTRUCTION

Body & Wheels	gf Nylon
Clamp	PVC
Tow in Box	AL Coated
Hardware	Galvanised

9 P8704 D/T PVC CABLE CARRIER NO270,30X30BL

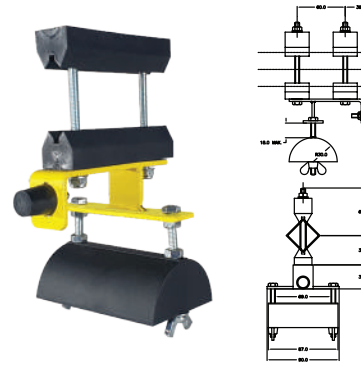


PART NO.	DESCRIPTION
P8704	D/T PVC Cable Carrier No270, 30x30bl

CONSTRUCTION

Body & Wheels	gf Nylon
Clamp	PVC
Hardware	Galvanised

8 P8708 D/T ENDCLAMP+ PVCFORM+2-PVC-V+2M6

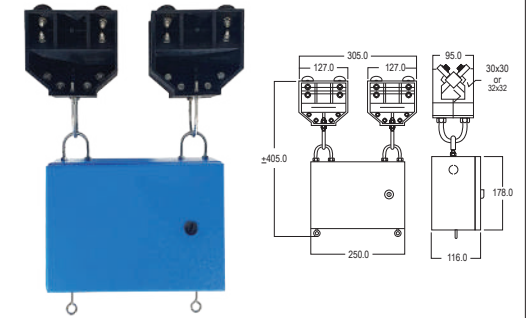


PART NO.	DESCRIPTION
P8705	P8708 D/T ENDCLAMP+ PVCFORM+2-PVC-V+2M6

CONSTRUCTION

Body	Steel Coated
Clamp	PVC
Spacer	gf Nylon
Hardware	Galvanised

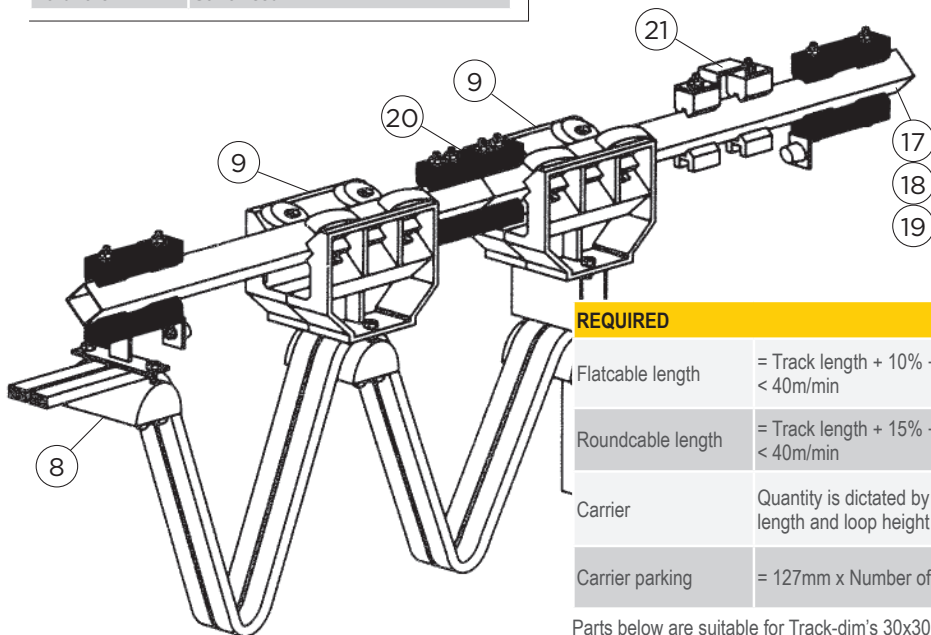
P8724 MOBILE BOX C/W 2-NO 290 CARRIER



PART NO.	DESCRIPTION
P8724	Mobile Box c/w 2-NO 290 Carrier

CONSTRUCTION

Hardware	Galvanised
Enclosure	Mild Steel Coated



REQUIRED

Flatcable length	= Track length + 10% + 2 Tails @ V < 40m/min
Roundcable length	= Track length + 15% + 2 Tails @ V < 40m/min
Carrier	Quantity is dictated by the cable length and loop height
Carrier parking	= 127mm x Number of carriers

Parts below are suitable for Track-dim's 30x30.

Head Office

+27 11 271 0000
info@powermite.co.za

Witbank

+27 13 692 3448/9
powermite.witb@powermite.co.za

Cape Town

+27 21 951 1505
powermite.ct@powermite.co.za

Rustenburg

+27 14 592 2209
powermite.rburg@powermite.co.za

Richards Bay

+27 35 751 1213/6
powermite.rbay@powermite.co.za

Durban KZN

+27 31 700 6830/4
powermite.dbn@powermite.co.za